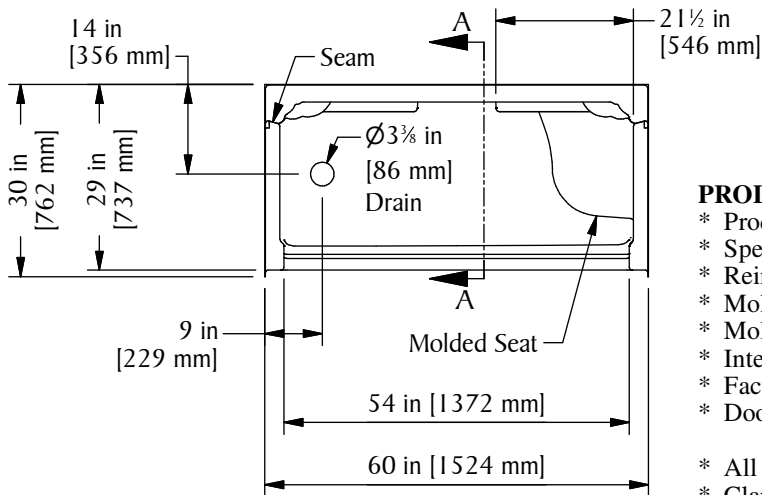
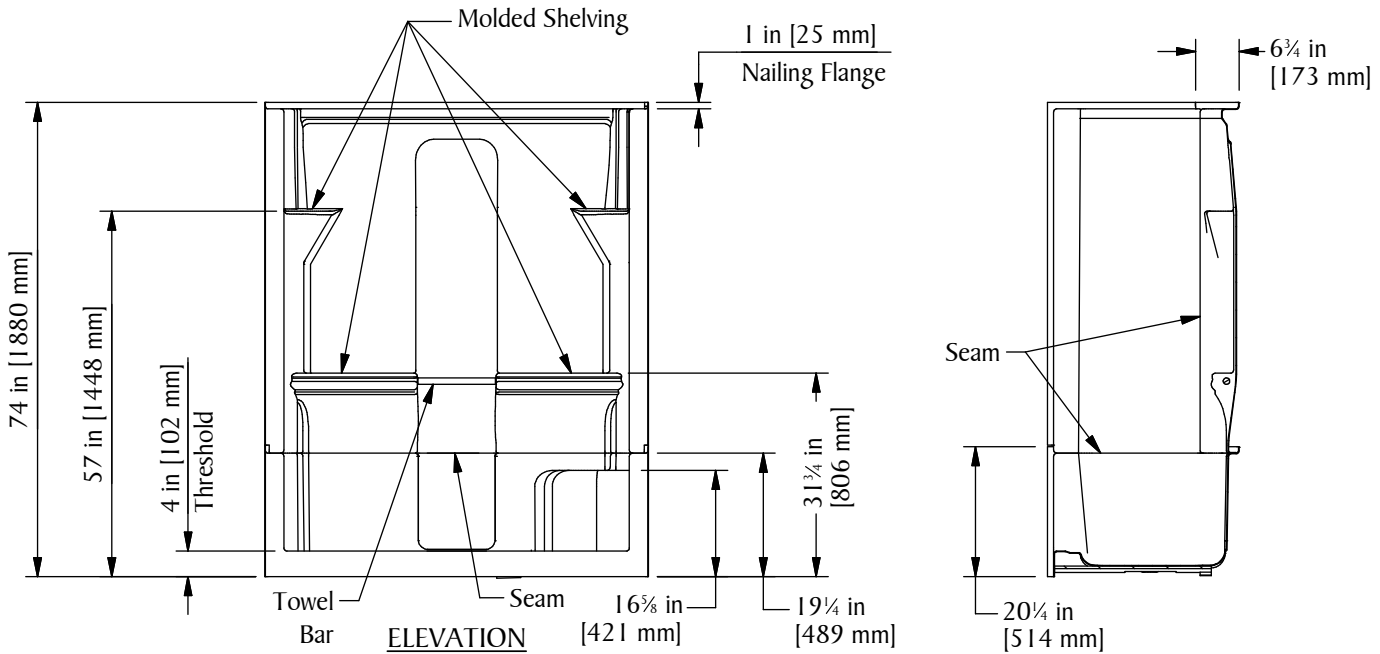


## Quantum Series



**60" [1524mm] 4-Piece Shower**  
**w/ 4" [102mm] Threshold, Molded Shelving,**  
**& Molded Seat**  
 Left Hand Version (4S40LT/S) Shown

### PRODUCT SPECIFICATIONS:

- \* Product complies with NAHB, HUD UM-73A, and ANSI-Z124.1.2.
- \* Special installation instructions for this unit must be followed carefully.
- \* Reinforced & slip resistant floor.
- \* Molded shelving on back wall.
- \* Molded seat approx. 12"W x 16"D x 15"H (opposite of valve wall).
- \* Integral 1" [25mm] nailing flange.
- \* Factory Drilled 1" [25mm] acrylic towel bar
- \* Door Opening: W-53 3/4" [1365mm]  
H-68" [1727mm]
- \* All dimensions +/- 1/2" [12.8mm]
- \* Clarion Bathware reserves the right to change design and/or dimensions.
- \* Dimensions are the same for all other versions of this model.  
Which include 4MS40LT/S or 4MS40RT/S

## 4S40LT/S or 4S40RT/S

60" [1524mm] 4-Piece Shower w/ 4" [102mm] Threshold, Left or Right Hand Drain, Molded Shelving & Seat

**Clarion**  
 BATHWARE  
 44 Amsler Ave.  
 Shippensburg, PA 16254

Phone: (814) 226-5374  
 Toll Free: (800) 576-9228  
 Fax: (814) 226-0730  
 www.clarionbathware.com

Signatures For Approval:

Customer: \_\_\_\_\_  
 Arch./Engr: \_\_\_\_\_

Date: \_\_\_\_\_

Quote #: \_\_\_\_\_  
 Job Name: \_\_\_\_\_

DWG. #

4S40LTS or RTS -CUT

Dwg. By: NMH  
 Date: 4/26/2017